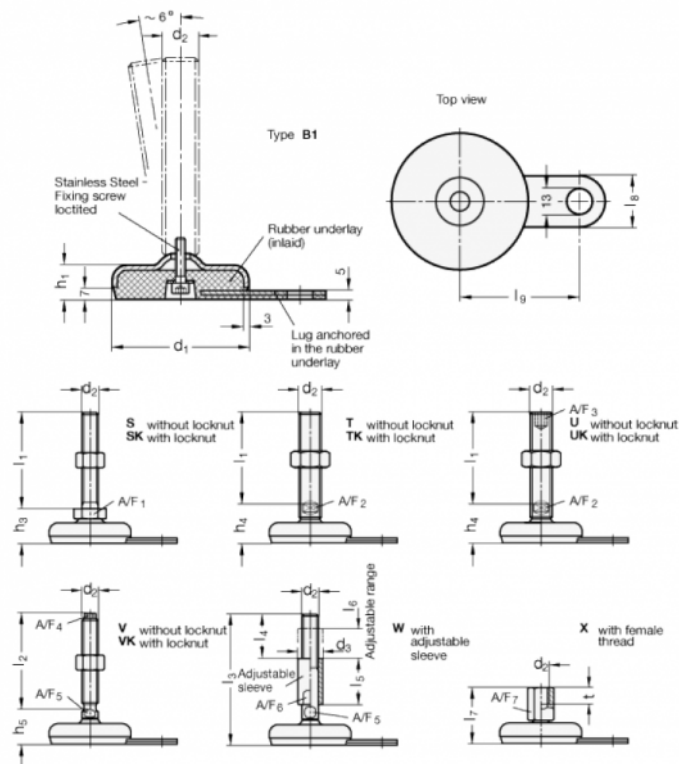


Article number: 203380M20200B1VK

Description: E+G levelling foot
GN 33-80-M20-200-B1-VK, Stainless steel

Note: VK With nut, External hexagon at the top, Wrench flat at the bottom

Measures



A/F4 = 13

I9 = 70

A/F5 = 16

d1 = 80

d2 = M20

h1 = 20

h4 = 32

I2 = 200

I8 = 30